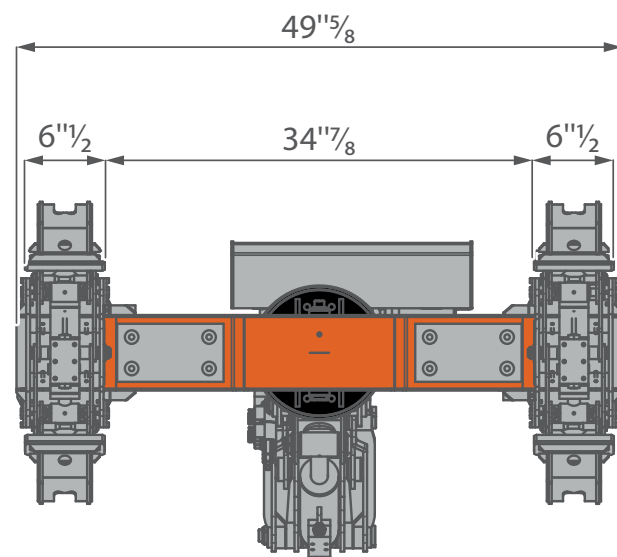
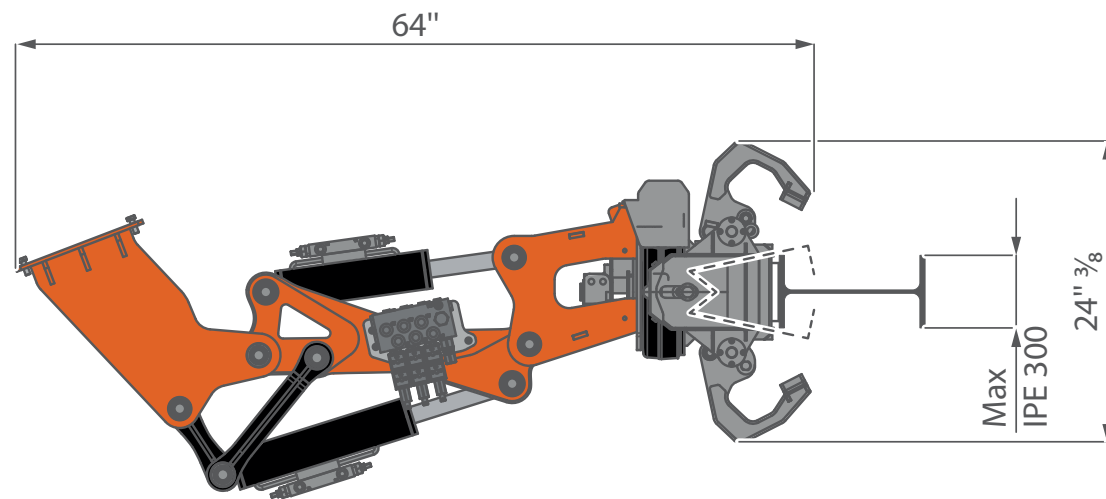




Technical Data
Specification & Capacities

JIB500GR

OVERALL DIMENSIONS
JIB500GR

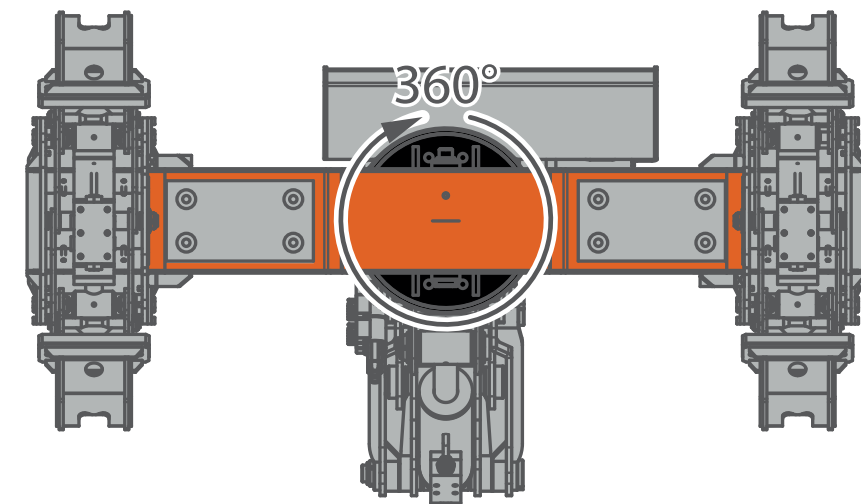


OVERALL INFORMATION

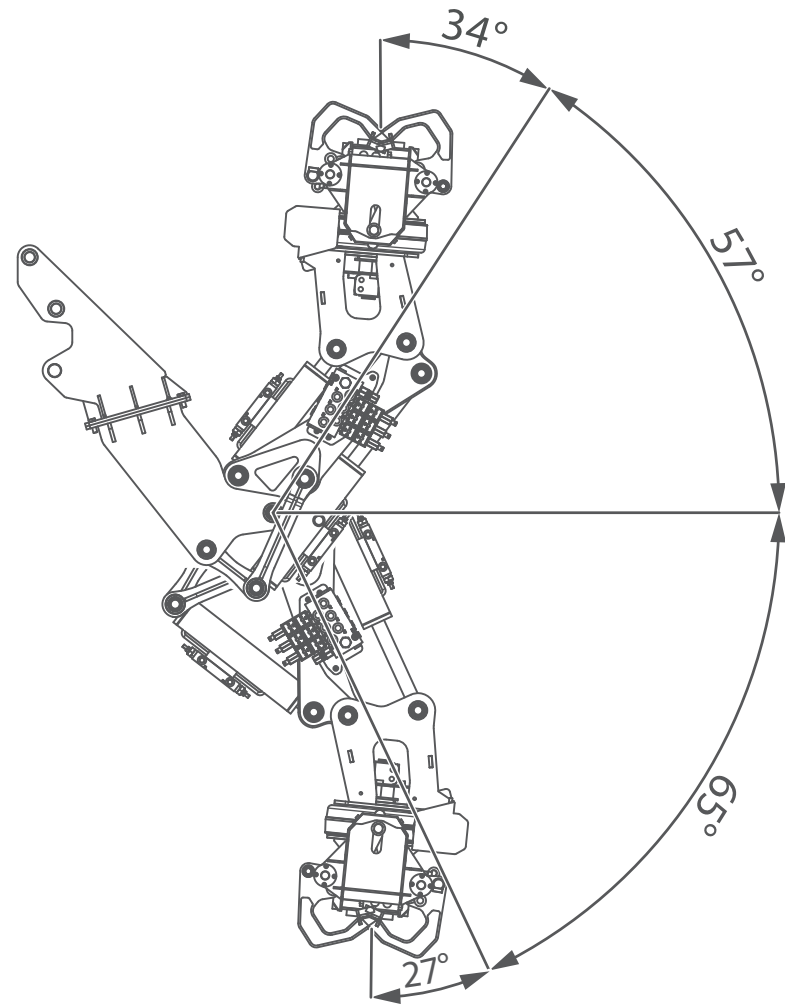
WEIGHTS		Name/ version	lb
		JIB500GR	JIB500GR
	Adapters	SPX532	40

MOVEMENTS		Tilt A	-57° / +65°
		Tilt B	-34° / +26°
		Rotation	360°
CAPACITY		Maximum Capacity	Max: 1102 lb

MOVEMENTS
ROTATION



MOVEMENTS
TILT



SYMBOLS

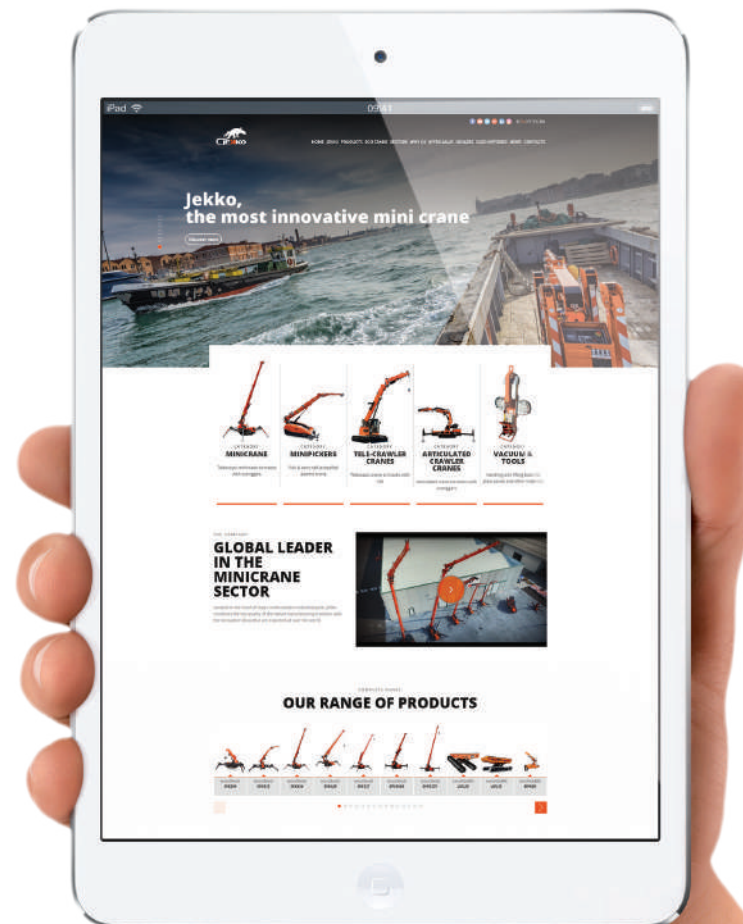
Weight	Engine	Boom Angle	Minipicker
Counterweight	Diesel Fuel	Boom Length	Back Wheel Loading Point
Crane	Petrol Fuel	Boom Radius	Front Wheel Loading Point
Dimensions L x W x H	Tank	Jib on Board	Working Radius
Stabilization Area	Power	Without Jib on Board	Stabilizing Bar
Travel Speed	Battery	Jib Hook Radius	Standard
Gradeability	Lithium Battery	Jib Length and Angle	Factory max. load
Outrigger Load	Powerpack	Jib Length	Building site max. load
Track Loading	Main Winch	Jib Radius	Maximum inclination of the machinery
Outriggers Setup	Hookblock	Manipulator Length	Hydraulic oil
Ext Tracks Width	Slewing	Manipulator Radius	Winter Warm-up Kit
Chart on Tracks	Slewing Locked	Number of vacuum pads	Horizontal Boom Angle
Slope	Outriggers mats	Grabber	White Pads for Steel Tracks

REMARKS REFERRING TO LOAD CHART

- The load charts are calculated according to EN 13000.
- For the calculation of the load charts at least a wind speed of 9m/s (33km/h) and regarding the load a sail area of 1m² per ton load and a wind resistance coefficient of 1.2 on the load have been taken into account. For lifting of loads with large sail areas and/or high wind resistance coefficients the maximum wind speed as stated in the load charts has to be reduced.
- Lifting capacities are given in kilograms.
- The weight of the hook blocks and hooks is part of the load and therefore it must be deducted from the lifting capacities.
- Working radii are measured from the slewing centre.
- The lifting capacities given for the telescopic boom apply if the folding jib is removed.
- Subject to modification of lifting capacities.

**YOUR
JEKKO
DEALER**

EN All specifications and features herein described can be changed without prior advice. All indicated data are indicative only and are not binding as crane performs differently depending on its use. **IT** Tutte le caratteristiche e le specifiche descritte possono essere soggette a variazioni senza preavviso. Tutti i dati riportati sono forniti a puro titolo informativo e non sono impegnativi dal momento che le prestazioni della macchina variano in funzione dell'utilizzo. **DE** Unangekündigte Änderungen sämtlicher Eigenschaften und Daten sind möglich. Alle Angaben sind Richtwerte und nicht verbindlich da die Leistungen der Vorrichtung von deren Einsatz abhängen. **ES** Todas las características y las especificaciones aquí indicadas pueden ser sujetas a variaciones sin aviso. Se dan todos los datos aquí indicados como simples informaciones. No se consideran como vinculantes, dado que las prestaciones del maquinario pueden variar. **FR** Toutes les caractéristiques et les spécifications descriptives peut être sujet à variation sans préavis. Tout les données rapportés sont fourni à titre informatif et ne sont pas engager au moment que la prestation de la machine change en fonction de l'emploi.



www.jekko-cranes.com

Visit **jekko-cranes.com** to keep in contact with us, discover all the latest news and find out technical details of all our products.



Jekko s.r.l.

Via Campardone, 1 - 31014 Colle Umberto (TV) - Italy
info@jekko.it - www.jekko-cranes.com

SERIAL NUMBER:

10.11.2021 | Rev.0