



JF 235

DIESEL + ELECTRIC POWER UNIT



REMOTE CONTROL



- ✓ Proportional
- ✓ LCD Screen
- ✓ Spare battery

HYDRAULIC JIB

- ✓ 4 hydraulic telescopic extensions
- ✓ 2075 kg MAX capacity
- ✓ 25 m MAX height
- ✓ Hydraulic extra functions available



MAN BASKET

- ✓ For MAX 2 people
- ✓ Up to 25 m
- ✓ EN280 certified



MAIN BOOM

- ✓ 6150 kg MAX capacity
- ✓ 15 m MAX height
- ✓ 4 hydraulic telescopic extensions

ADDITIONAL ELECTRIC MOTOR



- ✓ On board
- ✓ 50 Hz or 60 Hz
- ✓ Simple switch from diesel
- ✓ 400 -480 V three-phase motor

WINCH



- ✓ Up to 60 m rope
- ✓ Up to 3 falls
- ✓ For main boom & Jib
- ✓ 2 tons single line

JEKKO TOUCH EXPERIENCE



- ✓ 7" IP66 touch screen
- ✓ USB port for easy updates
- ✓ USB port for phone charging

STABILITY

- ✓ 5 different stability levels
- ✓ 4 different stability areas
- ✓ 0 - 45° full-range angle & Telescopic

360° ROTATION

RADIATOR

- ✓ Oil & engine heat exchanger

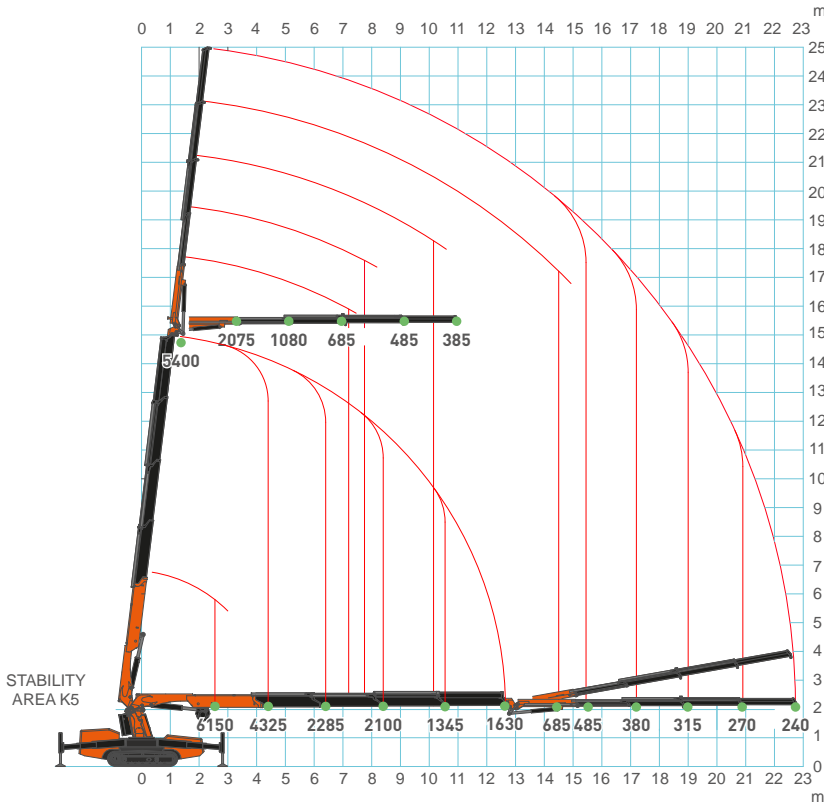
TRACK PADS

- ✓ Non-marking white plastic pads





LOAD CHART



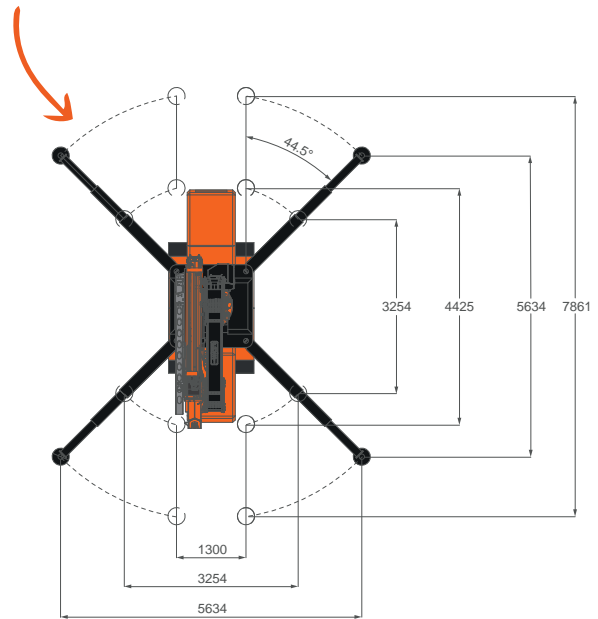
SCAN FOR MORE TECHNICAL DATA

	Kg
JF235	10500
Powerpack	80
Hydraulic Jib	216

DIMENSIONS (mm)



FOOTPRINT (mm)



ACCESSORIES

JVM800-R
Glass manipulator



HYDRAULIC JIB
2000 kg MAX capacity



RUNNER JIB
Stored onboard



MAN-BASKET
For 2 people

