

# JCX80

TELESCOPIC CRAWLER CRANE



Lifting capacity

**8000 kg**



Max tip height

**26,5 m**



Dimensions (l x w x h)

L x W x H

**4920 x 2050 x 2340 mm**



Powered by

**Lithium battery**



Weight

**11700 kg**

8700 kg machine + 2000 kg counterweight  
+ 1000 kg hydraulic jib



EN [m - kg]





## PASS-OVER

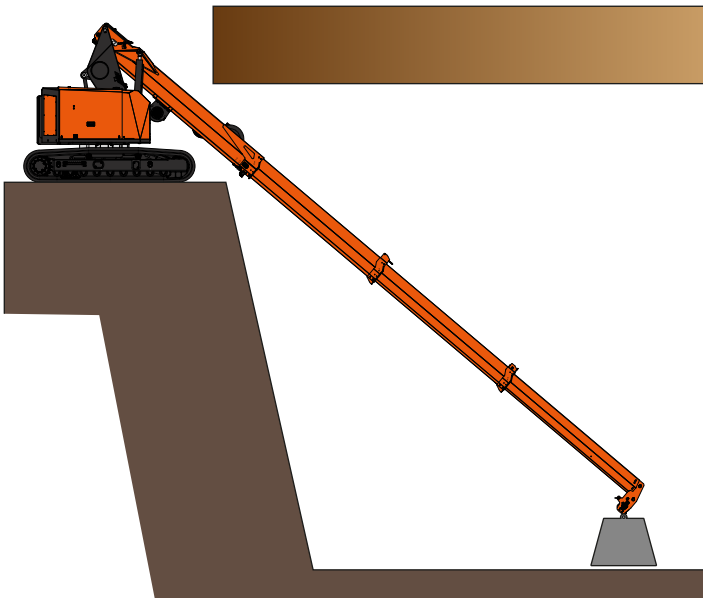
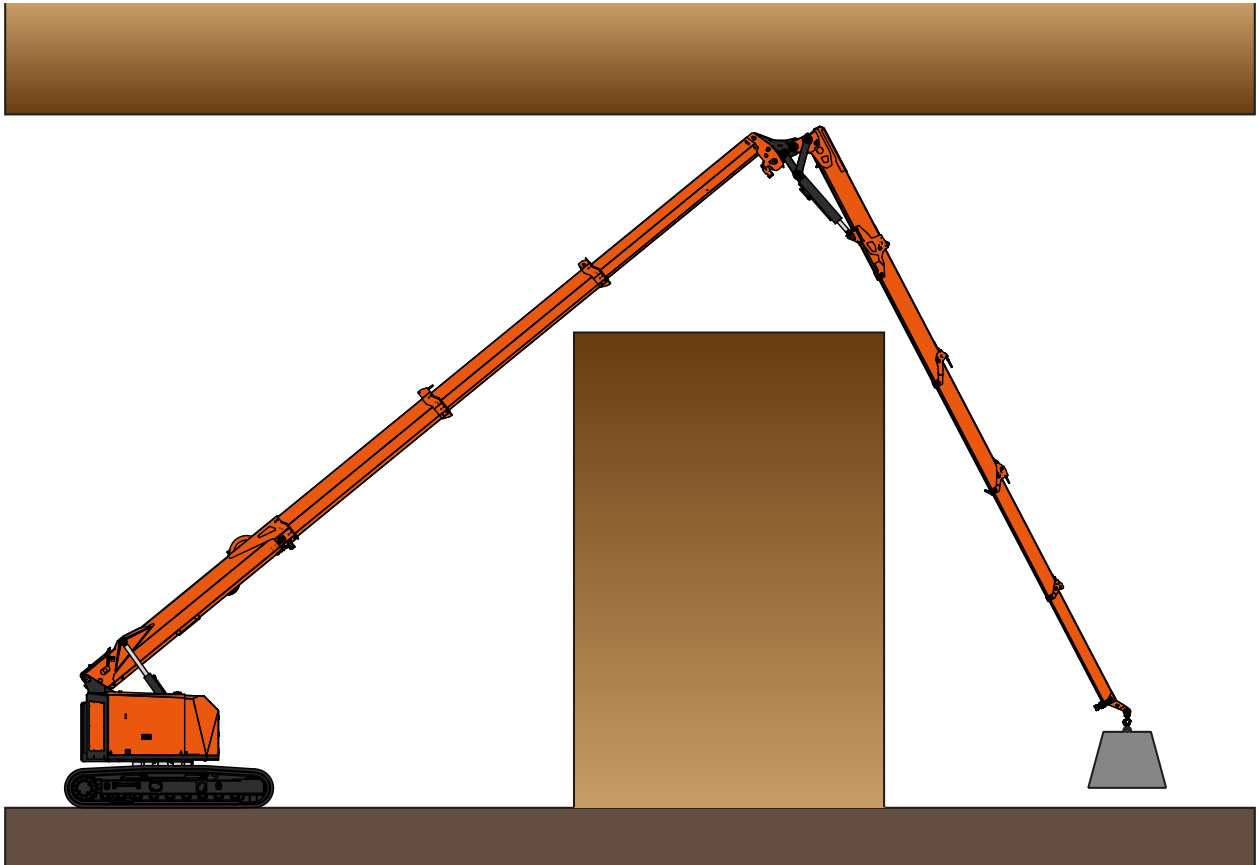
The turret rotates upward to raise the boom base to 2700 mm height

- Pass-over obstacles
- Negative angle operation till  $-35^{\circ}$
- Pick & Carry available

Max tip height  
+17,8 / -11,9 m

Max Outreach  
25,2 m

Is able to:



### Easily overcome obstacles

- Main boom and jib combined for unmatched reach

### Reach lower levels like cellars and basements

- Thanks to its adjustable column height, the boom can operate at negative angles for improved versatility



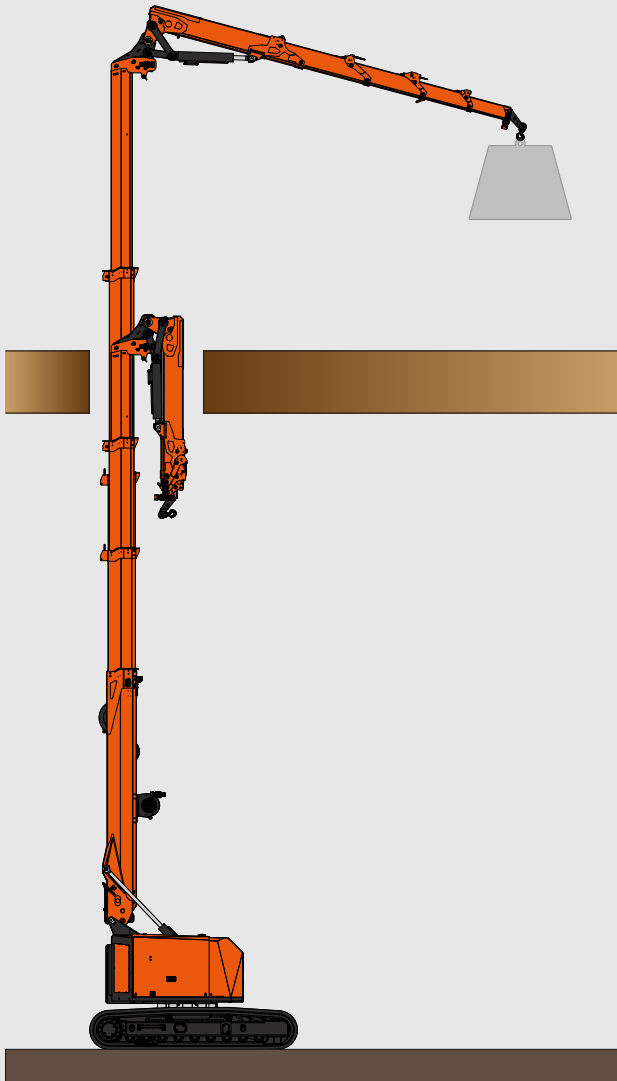
# TOWER

Compactness in operation thanks to the vertical boom

- Boom angle raised till 90°
- Jib angle from 60° to 0°
- Drives with unfolded boom, no load for quick mobility on jobsite

Max tip height  
26,5 m

Max Outreach  
10,7 m



## Vertical access

- Passing through small openings to work on upper-floors and ceilings

## Narrow streets

- Navigating through city centres and taking advantage of the vertical space available

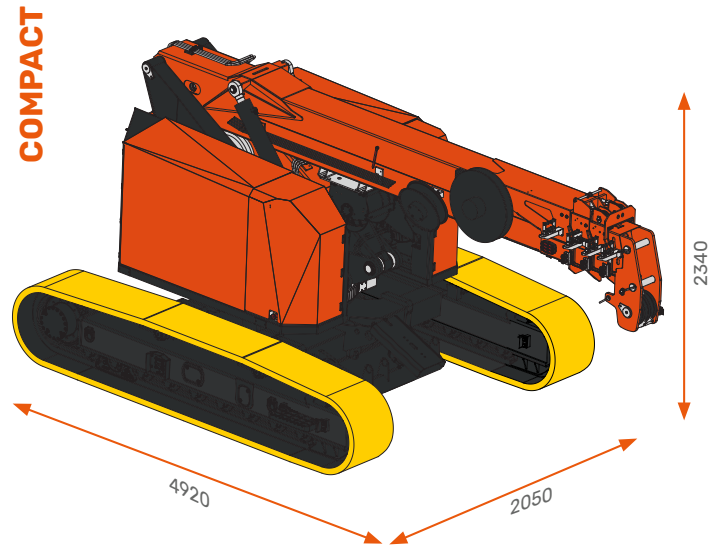
# STANDARD

A compact minicrane without outriggers

- Boom angle 0°-80°
- Compact footprint in operation: only 3930 x 2050 mm (2750 mm with extended tracks)
- Pick & Carry available

Max tip height  
26,1 m

Max Outreach  
24,1 m

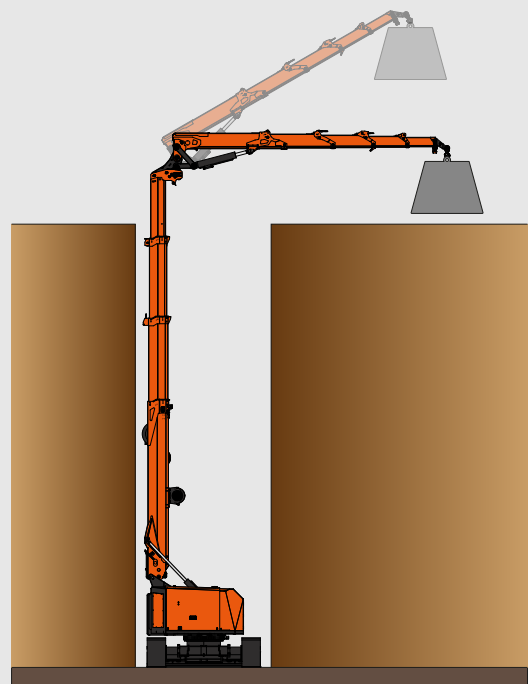


## Easy to transport

- 4920 x 2050 x 2340 mm
- Possible to remove the 2000 kg counterweight to simplify transport

## Compact footprint

- No outriggers
- Closed tracks: front and rear lifting in only 2050 mm width
- Opened tracks: 360° lifting in 2750 mm width
- Compact counterweight design = no rear encumbrance out of tracks footprint





# FULLY ELECTRIC

## Lithium battery

- Runtime over one workday
- On board fast charger
- Work while charging

## Energy recovery system

- Recovers energy from winch in unwinding and from rotation in braking
- Recharges the battery: longer runtime

## Electric winch & turret rotation

# MOBILE TURRET

The turret rotates upward to raise the boom to 3000 mm height. Ideal for industrial maintenance and construction jobsites

- Pass-over obstacles
- Negative angle operation till -35°



## FLEXIBLE CONFIGURATION

- Hook or winch; 8000 kg lifting capacity on main boom
- Pick & carry available\*

\* Except on "tower mode"



## HYDRAULIC JIB\*

- 3000 kg lifting capacity
- Hook or winch
- 5 hydraulic sections up to 10,7 m max length



## RADIO CONTROL

- Simple and intuitive, proportional
- Spare battery on board
- Self-diagnostics & emergency button



## INTEGRATED CAMERAS\*

- Monitor the machine, the load and the winch
- Integrated AI for improved control and prediction capabilities
- Improved safety and control



## J-LINK POWERED BY TRACKUNIT\*

- Remote fleet monitoring and diagnostics
- Built-in or retrofit on existing units



\*Optional



**JCX80**  
TELESCOPIC CRAWLER CRANE

Jekko s.r.l. • [info@jekko.it](mailto:info@jekko.it) • [www.jekko-cranes.com](http://www.jekko-cranes.com)  
Specifications are subject to change without notice.  
All data provided is for reference purposes only and is not legally binding.